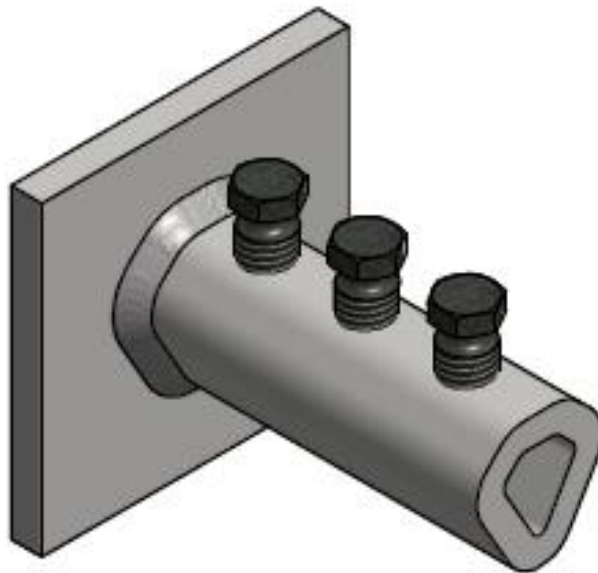


COMMERCIAL DOCUMENTATION

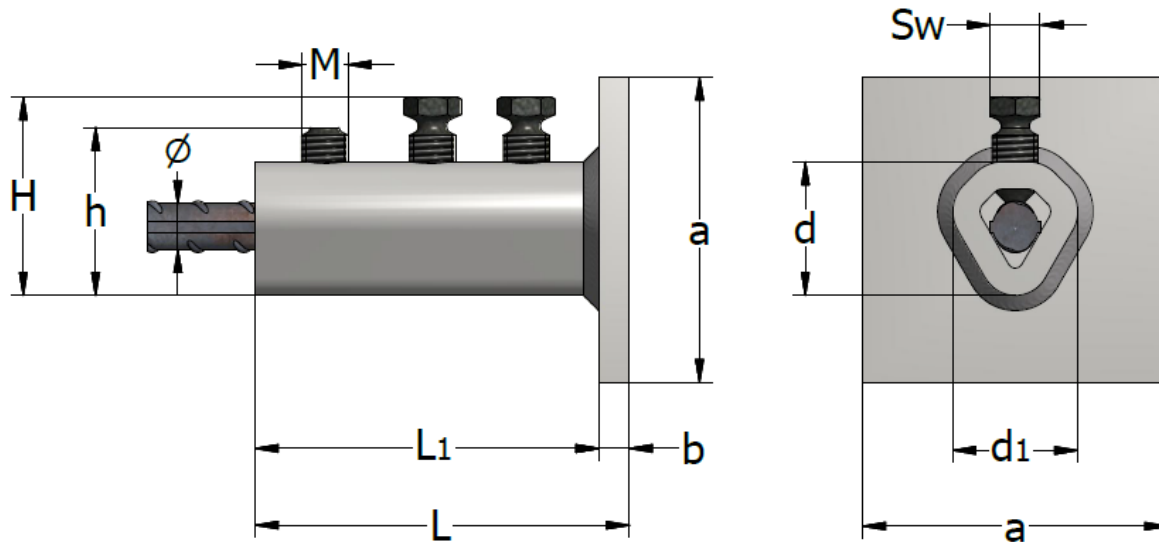


ALLIGATOR COUPLERS | **ALC-AP** **ALLIGATOR COUPLING WITH END ANCHORING**



ALLIGATOR END COUPLER – ALC-AP

The ALLIGATOR COUPLING WITH END ANCHORING is designed to ensure dead-end embedding of reinforcing steel bars in concrete. This helps to reduce the congestion and simplifies the placement of the reinforcing bars by eliminating the need for hooked ends. The ALLIGATOR END COUPLER includes half of an alligator coupling with a plate welded to one end, which will transfer the full tensile load of the bar when it bears against concrete. One advantage of this system is that there is no need for special preparation of the reinforcing bar.



Type ALC-AP	Product no.	Rebar ϕ [mm]	Breaking bolt number n	Breaking bolt thread M	L [mm]	a [mm]	b [mm]	d [mm]	d1 [mm]	H [mm]	h [mm]	SW [mm]	Torque moment [Nm]
10	43655	10	3	M12	88	80	8	33	34	Max. 46	36	13	95-115
12	43656	12	3	M12	98	80	8	33	34	Max. 49	39	13	95-115
14-16	43658	14/16	4	M12	123	100	8	37	38	Max. 55/57	45/47	13	95-115
18	43659	18	5	M12	150	100	10	44	42	Max. 59	49	13	95-115
20-22	66377	20/22	5	M12	175	100	10	50	50	Max. 63/67	51/55	17	190-215
25	43662	25	6	M16	205	100	10	55	54	Max. 72	60	17	190-215
26	63081	26	6	M20	225	150	15	63	62	Max. 83	68	22	355-415
28	43663	28	6	M20	225	150	15	63	62	Max. 85	70	22	355-415
30	63082	30	7	M20	255	150	15	70	69	Max. 87	72	22	355-415
32	43664	32	7	M20	255	150	15	70	69	Max. 92	77	22	355-415
36	43665	36	8	M20	285	150	15	77	74	Max. 99	84	22	355-415
40	43666	40	9	M20	305	150	15	76	74	Max. 101	86	22	355-415

CONTACT



TERWA is the global supplier for precast and construction solutions with multiple offices around the world. With all our staff, partners and agents, we are happy to provide all construction and precast companies who work in the building industry with full service and 100% support.

TERWA CONSTRUCTION GROUP

Terwa Construction Netherlands (HQ)

Global Sales & Distribution
Kamerlingh Onneslaan 1-3
3401 MZ IJsselstein
The Netherlands
T +31-(0)30 699 13 29
F +31-(0)30 220 10 77
E info@terwa.com

Terwa Construction Central East Europe

Sales & Distribution
Strada Sânzieni
507075 Ghimbav
Romania
T +40 372 611 576
E info@terwa.com

Terwa Construction Poland

Sales & Distribution
Ul. Cicha 5 lok. 4
00-353 Warszawa
Poland
E info@terwa.com

Terwa Construction India & Middle East

Sales & Distribution
India
T +91 89 687 000 41
E info@terwa.com

Terwa Construction China

Sales & distribution
5F 504, No. 101 Chuanchang road
PRC, 200032, Shanghai
China
E info@terwa.com

ALL SPECIFICATIONS CAN BE CHANGED WITHOUT PREVIOUS NOTICE.

DISCLAIMER

Terwa B.V. is not liable for deviations due to wear of the products it has delivered. Neither is Terwa B.V. liable for damage due to inaccurate and/or improper handling and use of the products it has delivered and/or use of same for purposes other than those intended.

Terwa B.V.'s responsibility is furthermore limited in accordance with article 13 of the "Metaalunie" conditions, which are applicable for all Terwa B.V. deliveries. The user is responsible for ensuring compliance with all applicable copyright laws. Without limiting the rights under copyright, no part of this documentation may be reproduced, stored in or introduced into a retrieval system, or transmitted in any form or by any means (electronic, mechanical, photocopying, recording, or otherwise), or for any purpose, without the express written permission of Terwa B.V.